

## PRECAUTIONS FOR SAFETY

---



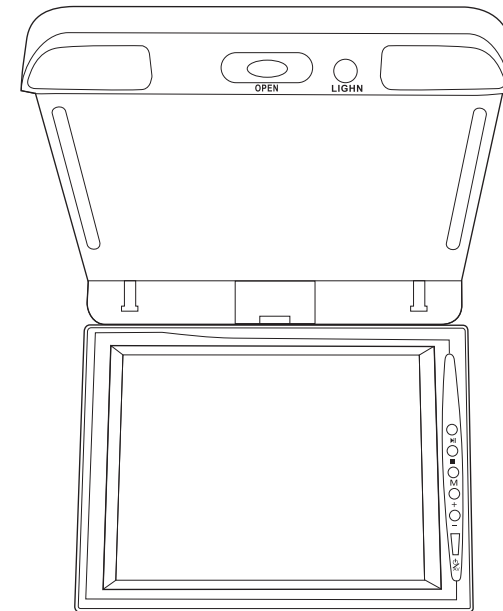
- Make sure to read the "manual" for safety precautions before installing unit or accessories.
  - Do not install unit in location where may obstruct or cause injury to driver or passengers, While driving under normal driving conditions.
  - Do not install unit where it may be exposed to high temperatures, moisture, dust or any foreign matter which will damage unit and cause it to malfunction
  - Do not watch TV/Monitor while driving
- 

## MEMO

# PYLE®

## PLRD103iF

### 10.4" TFT LCD Flip-Down Roof Mount DVD Monitor & IR/FM Transmitter

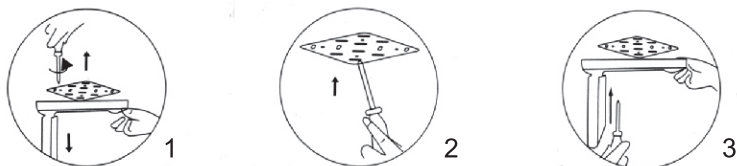


## TABLE OF CONTENTS

|                                       |       |
|---------------------------------------|-------|
| <b>Product specification</b> .....    | 2     |
| <b>Safety precautions</b> .....       | 3-4   |
| <b>Name and function of each part</b> |       |
| Monitor.....                          | 5     |
| Remote control.....                   | 6     |
| <b>Connecting Method</b> .....        | 7     |
| <b>Operating Instructions</b>         |       |
| DVD setup menu.....                   | 7-9   |
| Monitor menu.....                     | 9-10  |
| Others Function.....                  | 11-12 |
| <b>Installation</b> .....             | 13    |

## INSTALLATION

Please make sure of suitability of the configuration and the size. Use the suitable accessories and tools in installation or disassembling.



- (1) First of all, unscrew the four screws on the mounting plate connected to the unit and take off the mounting plate.
- (2) Fixup the mounting plate on the suitable position of the vehicle with four screws.
- (3) Then install the unit with four screws on the mounting plate to fix the unit.

## TROUBLESHOOTING

You can solve the simple problem with this, please check before asking for assistance.

| Trouble                                | Check Point  |
|--|--|
| No power                               | -Check if the AC power cable is connected properly.  |
| Remote control does not work properly. | -Please keep out of direct sunlight.<br>-Point remote control directly at the remote control sensor.<br>-Check or change the battery of remote control.<br>-If the remote control is placed in the closed area of vehicle or under the sun, the battery will be discharged.<br>-In case of the leaking of battery liquid, clean up and change battery. |
| No picture+No sound                    | -Check if the AC power cable is connected properly.<br>-Check the direction of picture/sound connector of A / V connection cable.  |
| Picture without sound                  | -Check the volume.<br>-Check if the mute function is on/off.   |
| Sound without picture                  | -Check if the AV mode is selected correctly.<br>-Check if the brightness and color of monitor is adjusted properly.  |
| Distorted sound                        | -Check if the power and voltage is provided properly<br>-Check if A / V input is connected correctly.  |

## ⚠ CAUTION

If moisture or debris get into the device or anything unusual occurs such as smoke, strange noise, smell, etc., please disconnect AC Power Cable immediately. Breakdown of course, can cause hazard such as fire, electric shock, Also, Do not disassemble device-high voltage hazard.

## PRODUCT SPECIFICATION

|                           |  |
|---------------------------|--|
| Screen Size               | 10.4-Inch(4:3)                                     |
| Pixel Resolution          | 640 x (RGB) x 480                                  |
| Brightness                | 350cd/m <sup>2</sup>                               |
| Contrast                  | 300:1  |
| Viewing angel             | (L/R/T/B): 70/70/65/65                             |
| Operating Supply          | 11~15V (Typical: DC 12V)                           |
| Power Consumption         | 12 W   |
| Standby Power Consumption | 30mA   |
| Storage temp              | -10°C~50°C   |
| Video Output Level        | 1Vp-p, 75Ω (COMPOSITE)                             |
| Video Input Level         | 1Vp-p, 75Ω (COMPOSITE)                             |
| Audio Input Level         | 300mV / 47Kohm                                     |
| Function                  | DVD Player ✓ IR ✓ FM ✓ TV _ SD ✓ USB Port ✓ Game ✓ |
| Usable CD Format          | DVD / VCD / CD / MP3 / MP4                         |
| lutput                    | 1 Video input                                      |
| Output                    | 1 Video and 1 audio(dual track) output             |
| Speaker                   | -----  |
| Dimension size            | 274(L)X266(W)X54(H)mm                              |
| Weight                    | 1.95kg   |

Your attention please:  
The design and specifications are subject to change without notice

## SAFETY PRECAUTIONS

This is important safety information, read all instructions before using to prevent any accident and danger and to ensure the proper purpose. Please keep this is the user's visible area after reading.

Safety precautions are divided into "warning" and "caution" and its meaning is as below.



If you do not handle with care it may bring danger



If you do not handle with care it may cause serious injury and serious damage to the product .

### **WARNING**

**For safe driving, driver should not watch the monitor or operate the device.**

-If the driver watch TV or Video while the car is in motion, it may cause an accident.

**Do not drop or give a shock to the device.**

-It may result in fire or breakdown of product.

**Do not plug several wires into Cigar-jack.**

-It may bring danger of fire or disconnection.

**Do not spill water, drink or any kind of liquid on the device.**

-It may bring danger of breakdown electric shock or fire.

**Except the service technician do not disassemble, repair and remode the device.**

-It may result in fire or breakdown of product.

**Do not install the device when it stay impairs the performance of driving and airbag or where it may cause personal injury by sudden stop.**

**Unplug this product before changing Use a dry-cloth and do not use espuld cleaners.**

**Do not install the product near heat sources such as heaters or ventilator of vehicle.**

## OPERATING INSTRUCTIONS



While playing DVD disc, press **REPEAT** button on the remote control for the first time to repeat playing one chapter, press **REPEAT** for the second time to repeat playing on title, press **REPEAT** for the third time to repeat playing the entire disc, press **REPEAT** for the fourth time to cancel.

Note: In PBC mode, this Directive is invalid.



In this mode, the dynamic or still picture can be zoomed in at most by 7 folds.

Press **Zoom** button on the remote control for six times, the picture is zoomed in by 2x, 3x, 4x, 1/2, 1/3, 1/4 folds per order. And press Zoom again to return to the normal playing mode.



Use to play / pause the disc by pressing each time.



Direction Buttons;



Press **STOP** button to pause / stop the disc.



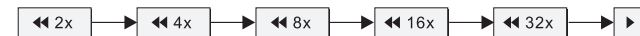
• While DVD disc is playing, Press each time of Fast Forward button, screen shows as following:



• Press Play to shift to normal playing mode.



• While DVD disc is playing, Press each time of Fast Backward button, screen shows as following:



• Press Play to shift to normal playing mode.



Return to the previous title / track on the disc.



Advance to the next title / track on the disc.



Adjust volume by pressing **VOL-**, **VOL+** button on remote control.

\* Under no disc, USB / SD reading is available.

## OPERATING INSTRUCTIONS

### Others Function



Press **POWER** button on the remote control to power ON / OFF of device.



While playing VCD disc, Press **PBC** button on the remote control to PBC On/Off.



While playing VCD disc, Press **TITLE** button on the remote control to return to the main menu or When PBC on.



Press **AV-IN** button on the remote control to Switch DVD / AV.



USB/SD/DVD switch



Press each time of this button, the information of playing title will be displayed on screen.



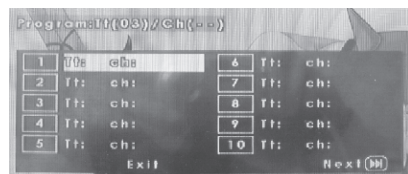
Showing the language information of the dvd disk



In this mode, the dynamic or still picture and sound can be slowed down at most by 5 folds. Press **SLOW** button for four times, the picture and sound can be slowed down by 1/2, 1/4, 1/8, 1/16, folds per order. And press SLOW again to return to the normal playing mode.



Press **PROGRAM** button of remote control, will appear Program Menu:



Press select, Press **ENTER** button, Operate the Number Buttons, play in select the new gradation.



Press **CLEAR** button on the remote control to delete of program.



While playing VCD disc, press **AUDIO** button on the remote control to choose Stereo/Mono Left/Mono Right.



Press **MUTE** button on the remote control to close Sound.

### CAUTION

The device setup should be entrusted to an expert technician.

-Please refer to the connecting diagram in owner's manual, distribute wires entrust to an expert if it is necessary.

**Do not use this product when the engine is turned on.**

-it may result in battery damage, failure of starting up the engine.

**Please play a volume properly.**

-With a condition which can not hear around or outside vehicles, may cause a car-accident.

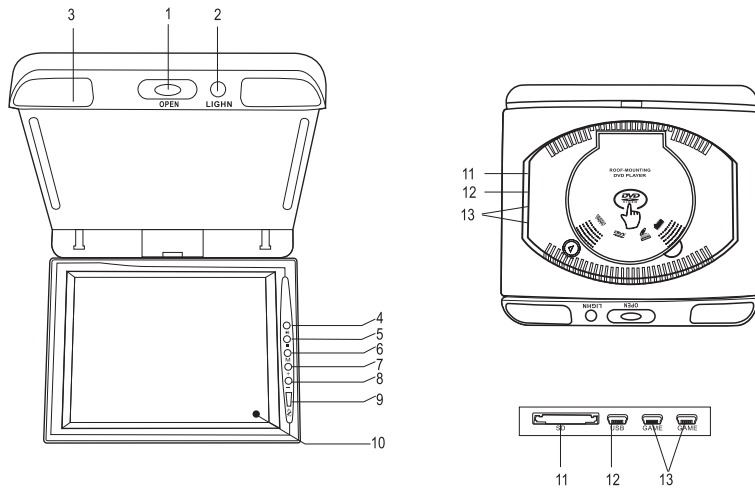
**This product is designed for vehicles with DC12V, please entrust to an expert for vehicles such as RV, Truck, Bus with 24V.**

**Disposal of Old Electrical & Electronic Equipment (Applicable in the European Union and other European countries with separate collection systems).**

-This symbol on the product or on its packaging indicates that this product shall not be treated as household waste, instead that it shall be handed over to the applicable collection point for the recycling of electrical and electronic equipment. By ensuring this product is disposed correctly, you will help prevent potential negative consequences for the environment and human health, which could otherwise, be caused an inappropriate waste handling of this product. The recycling of materials will help to conserve natural resources. For more detailed information about recycling of this product, please contact your local city office of household waste disposal service or the shop where you Purchased the product.

## NAME AND FUNCTION OF EACH PART

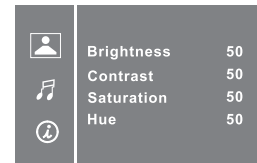
### Overhead Monitor



- |    |   |
|----|---|
| 1  | OPEN  |
| 2  | light switch  |
| 3  | LIGHN   |
| 4  | ▶   Play/pause  |
| 5  | ■ STOP  |
| 6  | M Enter Menu  |
| 7  | + Menu up   |
| 8  | - Menu down   |
| 9  | ⏻/AV Switch video press one time ,open /off the power press long time |
| 10 | COLOR LCD SCREEN  |
| 11 | SD  |
| 12 | USB   |
| 13 | Game  |

## OPERATING INSTRUCTIONS

### 1. Picture Menu



- Press **CONSOLE** button, then you can select PICTURE Menu.
- Press Enter button, then select sub-menu with .
- Select submenu, operate submenu with .

#### SUB MENU

- **Brightness:** Use to adjust brightness.
- **Contrast:** Use to adjust contrast.
- **Saturation:** Use to adjust color.
- **Hue:** Use to adjust hue.

### 2. Audio Menu

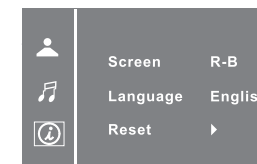


- Press **CONSOLE** button, then you can select AUDIO Menu.
- Press Enter button, then select sub-menu with .
- Select submenu, operate submenu with .

#### SUB MENU

- **FM Freq:** Adjust FM frequency / FM off. (87.7/87.9/88.1/88.3/88.5/88.7/88.9/89.1MHz )
- **IR Band:** A / B / Off  
(\* Advise the user to select different channel for left and right headrest to avoid interference.)

### 3. Utility Menu



- Press **CONSOLE** button, then you can select Utility Menu.
- Press Enter button, then select sub-menu with .
- Select submenu, operate submenu with .

#### SUB MENU

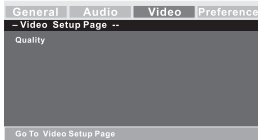
- **Screen:** Use to change image(Up/Down/Left/Right).
- **Language:** Select Menu Language.
- **Reset:** Reset

## OPERATING INSTRUCTIONS

### SUB MENU

Equalizer EQ Type:None/Rock/Pop/Live/Dance/Techno/Classic/Soft.  
3D Processing Reverb Mode:Off/Concert/LivingRoom/Hall Bathroom/Cavel/Arena/Church.

### 3. Video Setup Page

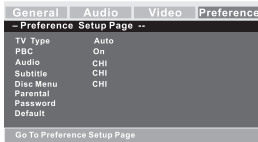


- Press **SETUP** button, operate with **◀, ▶** select the Preference setup page.
- Press **ENTER** button, Select sub-menu with **▲, ▼**.
- Select sub-menu, operate sub-menu with **◀, ▶**.
- Showing when no disc.

### SUB MENU

- Sharpness :MID/High/Medium/LOW
- Brightness -03
- Contrast 00
- Saturation 00

### 4. Preference setup page



- Press **SETUP** button, operate with **◀, ▶** select the Preference setup page.
- Press **ENTER** button, Select sub-menu with **▲, ▼**.
- Select sub-menu, operate sub-menu with **◀, ▶**.
- Showing when no disc.

### SUB MENU

- TV Type:Auto/PAL TV/Auto/NTSC TV
- Audio: Preferred Audio Language.
  - English / French / Spanish / Chinese / Japanese / Korean / Russian / Thai
- Subtitle: Preferred Subtitle Language.
  - English / French / Spanish / Chinese / Japanese / Korean / Russian / Thai
- Disc MENU: Preferred Menu Language.
  - English / French / Spanish / Chinese / Japanese / Korean / Russian / Thai
- Parental:1 KID SAF/2 G/3 PG/4 PGB/5 PGR/6 R/7 NC/17/8 ADULT
- Password: Change password. (Initial password: 136900)
- Default Reset: Load Factory Setting.

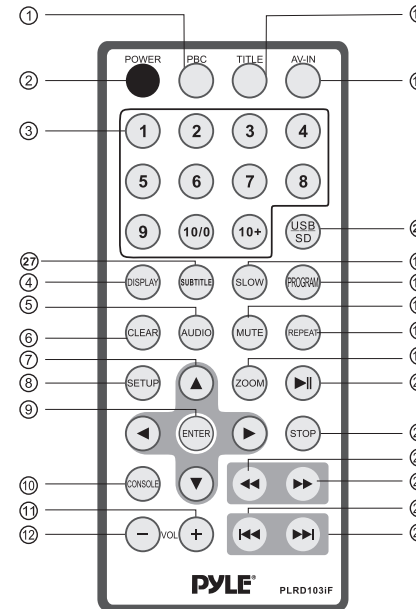
### Monitor Menu Use

- Press **CONSOLE** button on the remote control at AV mode, Monitor menu will appear.
- You can move or select the menu by pressing **◀, ▶, ▲, ▼, ENTER** button.



## NAME AND FUNCTION OF EACH PART

### Remote Control And Key Map of Remote Control Function

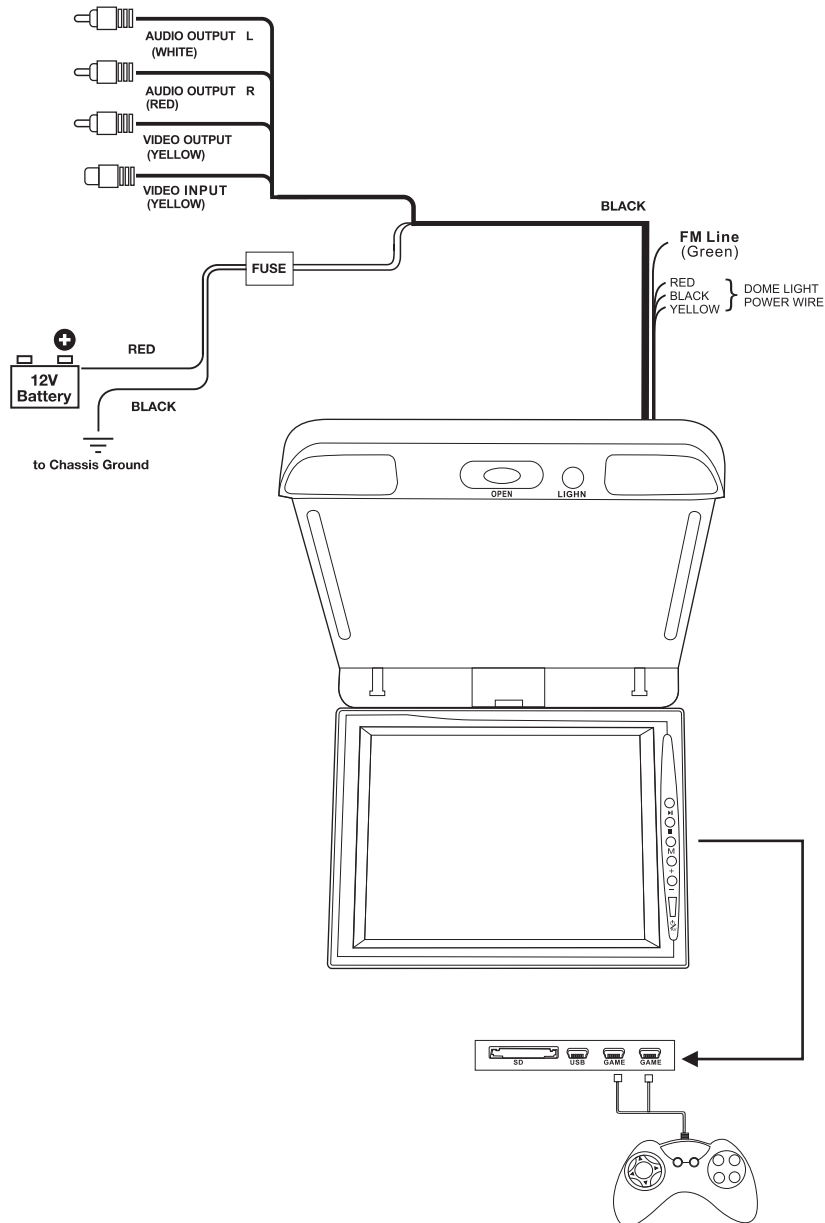


|                   |  |
|-------------------|--|
| 1. PBC            | Select PBC menu                                  |
| 2. Power          | Power ON / OFF                                   |
| 3. Number Buttons | Chapter number                                   |
| 4. Display        | Display disc information                         |
| 5. Audio          | Select Audio mode                                |
| 6. Clear          | Clear  |
| 7. ◀ ▶ ▲ ▼        | Direction Buttons                                |
| 8. Setup          | Enter or exit the Setup menu                     |
| 9. Enter          | Enter  |
| 10. Console       | Enter or exit the monitor menu                   |
| 11. VOL+          | Volume Up  |
| 12. VOL-          | Volume Down                                      |
| 13. TITLE         | Title  |
| 14. AV-IN         | Select AV mode                                   |
| 15. SLOW          | Slow player (2/1, 4/1, 8/1, 16/1)                |
| 16. PROGRAM       | Program  |
| 17. MUTE          | Sound Mute                                       |
| 18. REPEAT        | Select play mode (Cycle or Random)               |
| 19. ZOOM          | Select Zoom mode (2x, 3x, 4x, 2/1, 3/1, 4/1)     |
| 20. ⏪             | Play/Pause                                       |
| 21. STOP          | Stop   |
| 22. ⏮             | Fast Backward                                    |
| 23. ⏭             | Fast Forward                                     |
| 24. ⏮             | Return to the previous chapter on the disc       |
| 25. ⏭             | Advance to the next chapter on the disc          |
| 26. USB/SD        | USB/SD/DVD switch                                |
| 27. SUBTITLE      | Showing the language information of the dvd disk |

### Gamestick

- Arrow keys **◀ ▶** Function for the page
- Arrow keys **◆** Function for selecting the game serial number
- Start to start/pause function enter the game.
- To enter the game : press B/D keys
- Withdraw from the game : press Select Start keys at the same time
- REMARK: Above operations are based on playing the game disk

## CONNECTING METHOD



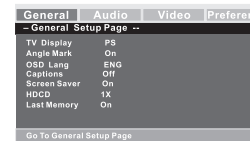
## OPERATING INSTRUCTIONS

### DVD Setup Menu Use

- Press **SETUP** button on the remote control at DVD mode DVD SETUP menu will appear.
- You can move or select the menu by pressing **◀▶, ▲▼, ENTER** button.



### 1. General Setup Page

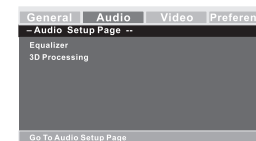


Press **SETUP** button, operate with **◀, ▶** select the General Setup Page.  
Press **ENTER** button, Select sub-menu with **▲, ▼**.  
Select sub-menu, operate sub-menu with **◀, ▶**.

### SUB MENU

- **TV Display**
  - **NORMAL/PS**: Normal TV pan scan
  - **NORMAL/LB**: Normal TV letter box
  - **WIDE 16:9**: Wide Screen
- **Angle Mark**
  - **On** : Show on the current screen angle.
  - **Off** : Show off the angle.
- **OSD Lang**
  - **English** : To set the on-screen display language in English.
  - **Chinese** : To set the on-screen display language in Chinese.
- **Captions**
  - **On** : Screen saver on
  - **Off** : Screen saver off
- **Screen Saver**
  - **On** : Screen saver on
  - **Off** : Screen saver off
- **HDCD**
  - **HDCD**: Off/On/1X/2X
- **Last Memory**
  - **On** : Use the last memory function, Record and play the loaded position of the disc before closing/opening. Current mode change or Power On/Off, dose not record.
  - **Off** : Last memory function off.

### 2. Audio Setup Page



- Press **SETUP** button, operate with **◀, ▶** select the Preference setup page.
- Press **ENTER** button, Select sub-menu with **▲, ▼**.
- Select sub-menu, operate sub-menu with **◀, ▶**.